



Leica Multiple Viewing Systems

Configuration Guide
for Assembly

Leica

MICROSYSTEMS

Leica Multiple Viewing Systems Configuration Guide

System Requirements

- Compatible with any Leica Infinity Corrected Microscope
- Eyepieces with field numbers up to 22mm can be used
- Systems of more than 10 stations must use a microscope with a 100 watt light source
- Systems of more than 10 stations give the best results when used with Brightfield Illumination and objectives up to 40X
- If microscopes other than DME, DM 1000, DM2000, DM2500, DM3000 are used (ie: Leica Research Microscopes), 3 additional height adapters (13K28421) per support leg will be necessary and must be ordered separately
- All Binocular or Trinocular Tubes can be used
 - Note: The 11505194 15 degree tube and 11505195 Ergonomic Tilting version of the 11505194 cannot be used on the 11619850 five station System when used by itself or when the five station system is part of a larger system
- When selecting a system, include the Voltage and Country in order to receive the proper power cord.

Ergonomics

- Metal base and support legs minimize vibrations and help provide fatigue-free operation
- Each support leg comes with an appropriate number of 20mm extenders for the proper height of the system you ordered
- Each support leg can be raised 51mm for proper leveling
- Ergonomic viewing height and large working area

Optical Performance

- Viewing resolution is much higher than video
- 2-, 3-, 5-station systems provide image orientation identical to the instructor
- Instructor can pinpoint a specific area of a sample with the illuminated, dual color pointer: green or yellow

Applications

- Training
- Consulting

Typical Markets

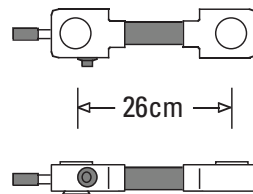
- Pathology
- Colleges and Universities
- Research Laboratories
- Veterinary Laboratories
- Clinical Laboratories
- Surgical Consultation / Hospitals
- Forensic Laboratories

Multiview Station Dimensions

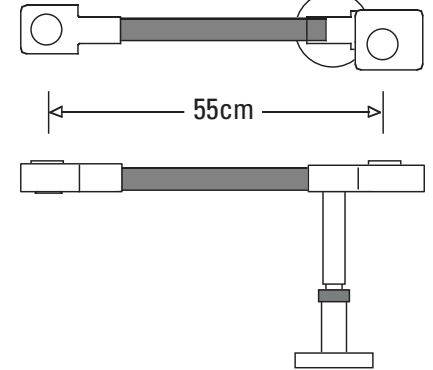
Note: Shown are the dimensions between stations on each type of assembly.

These assemblies combine to form all the multiple station configurations shown in this guide.

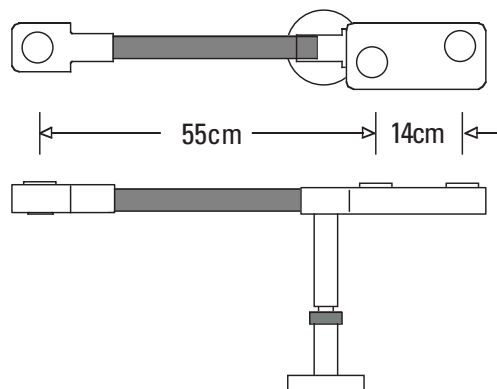
Face to Face 2-Station Assembly



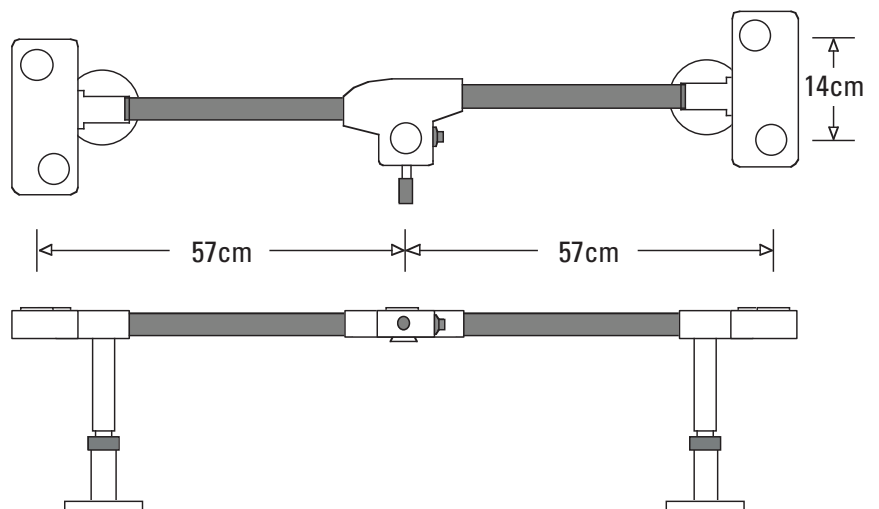
Side by Side 2-Station Assembly



3-Station Assembly



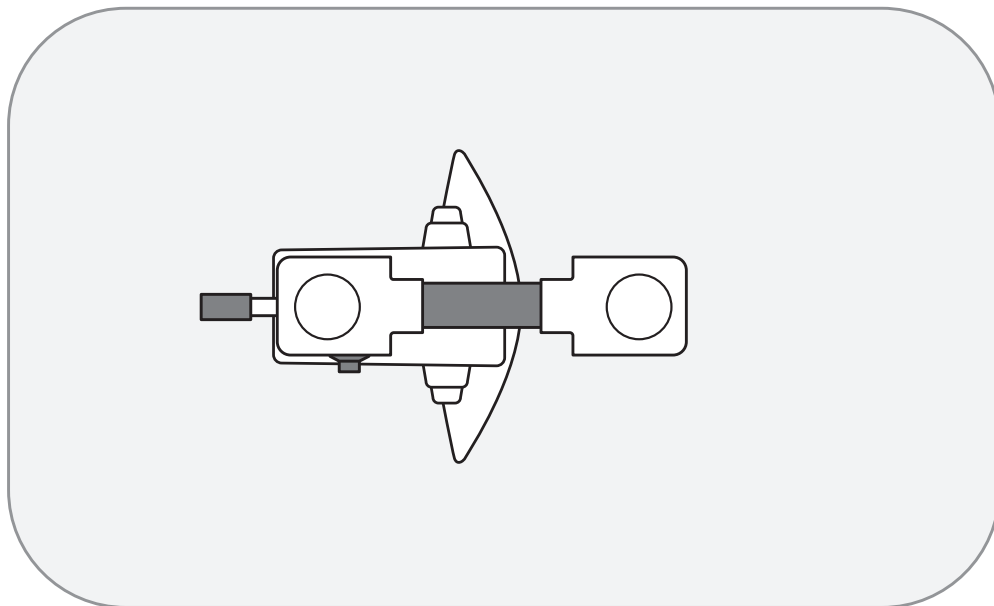
5-Station Assembly



2 Stations, Face to Face

Part Number Includes

11619810 2 Station Face to Face Multiple Viewing System, electronic pointer with power supply, power cord.
The system DOES NOT include Binocular Tubes or Eyepieces. The appropriate number of Binocular Tubes and Eyepieces must be ordered separately.



← 26cm →

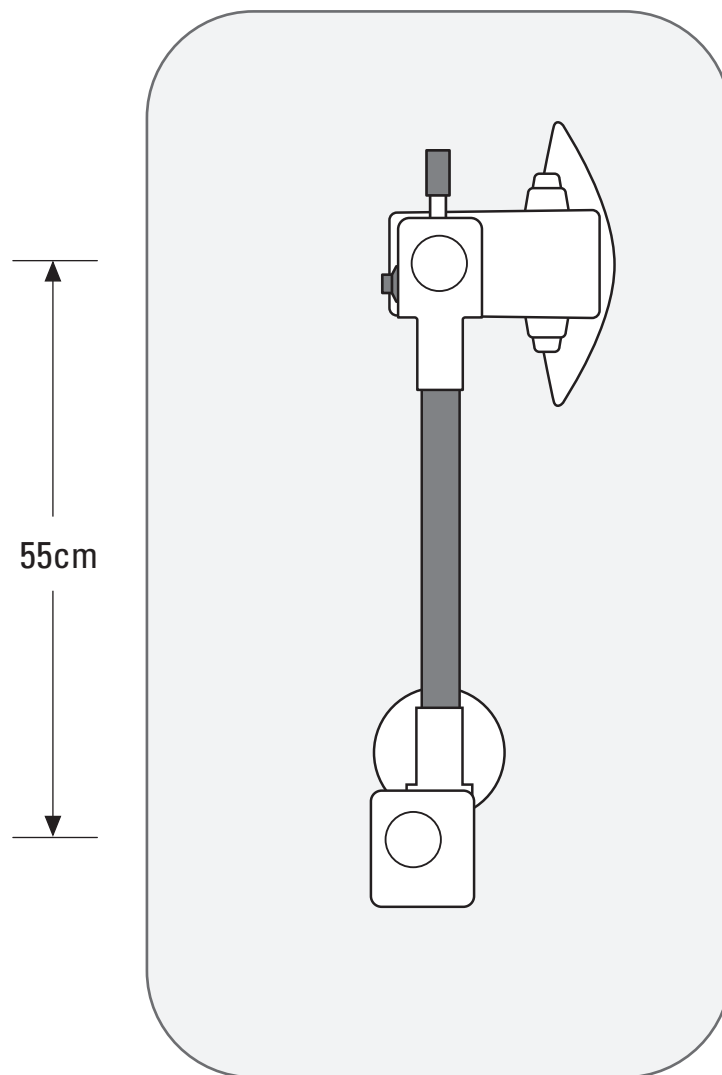
2 Stations, Side by Side

Part Number Includes

11619820 2 Station Side by Side Multiple Viewing System, electronic pointer with power supply, power cord, 1 support leg.

11619821 Same as above but without the electronic pointer.

The system DOES NOT include Binocular Tubes or Eyepieces. The appropriate number of Binocular Tubes and Eyepieces must be ordered separately.



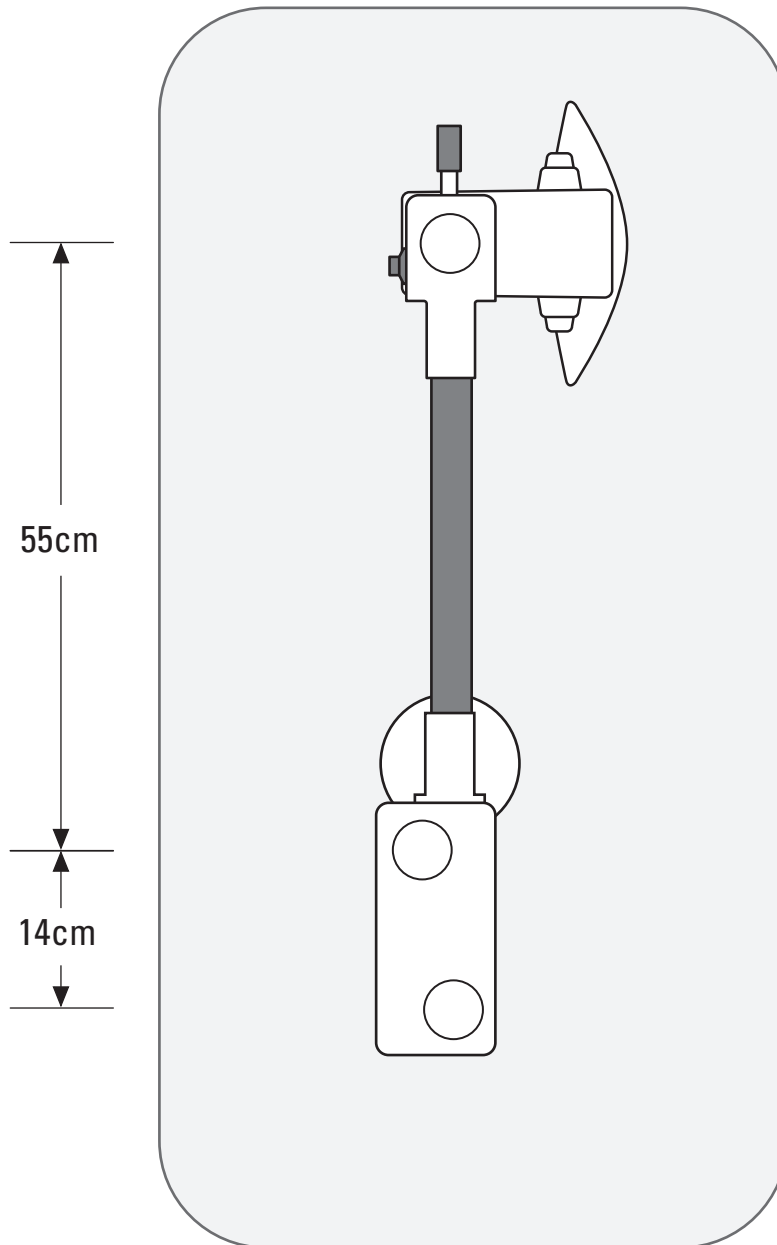
3 Stations

Part Number Includes

11619830 3 Station Multiple Viewing System, electronic pointer with power supply, power cord, 1 support leg.

11619831 Same as above but without the electronic pointer.

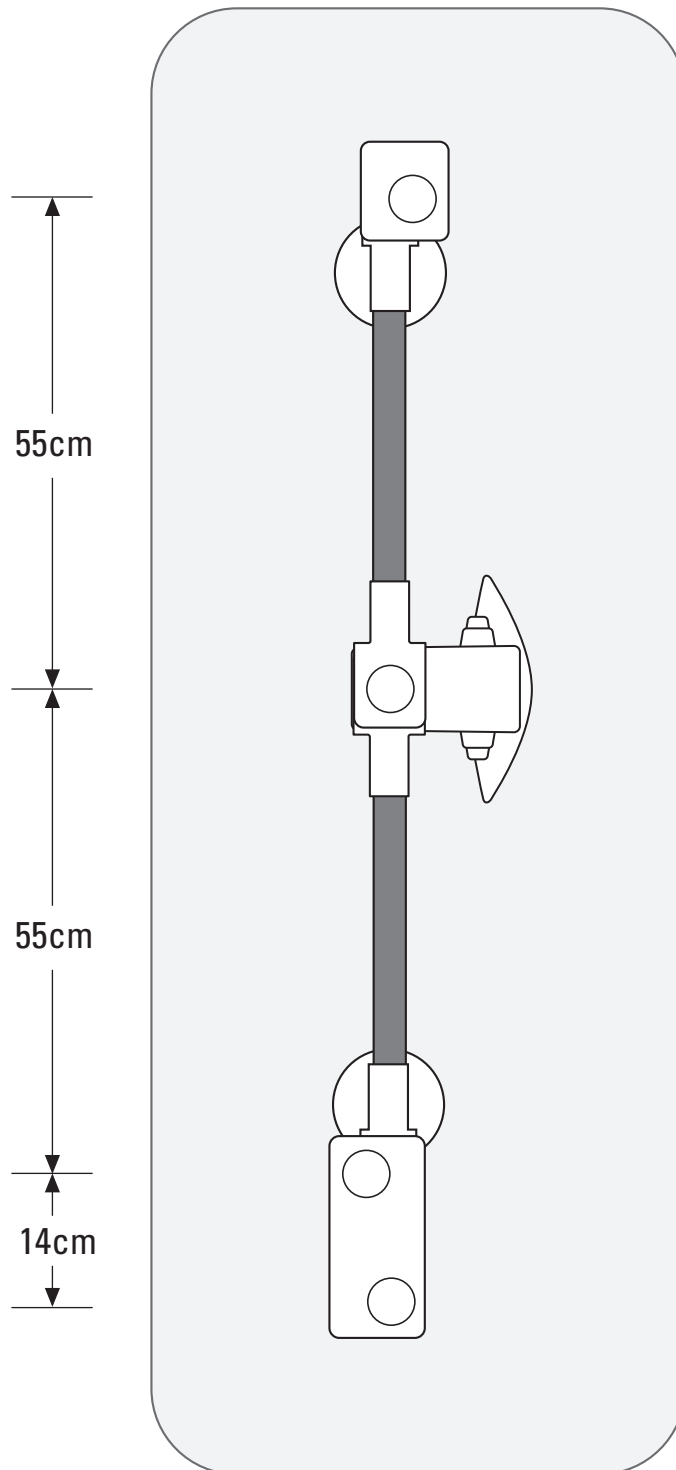
The system DOES NOT include Binocular Tubes or Eyepieces. The appropriate number of Binocular Tubes and Eyepieces must be ordered separately.



4 Stations

Part Number Includes

11619840 4 Station Multiple Viewing System, electronic pointer with power supply, power cord, 2 support legs, 2 leg extensions. The system DOES NOT include Binocular Tubes or Eyepieces. The appropriate number of Binocular Tubes and Eyepieces must be ordered separately.



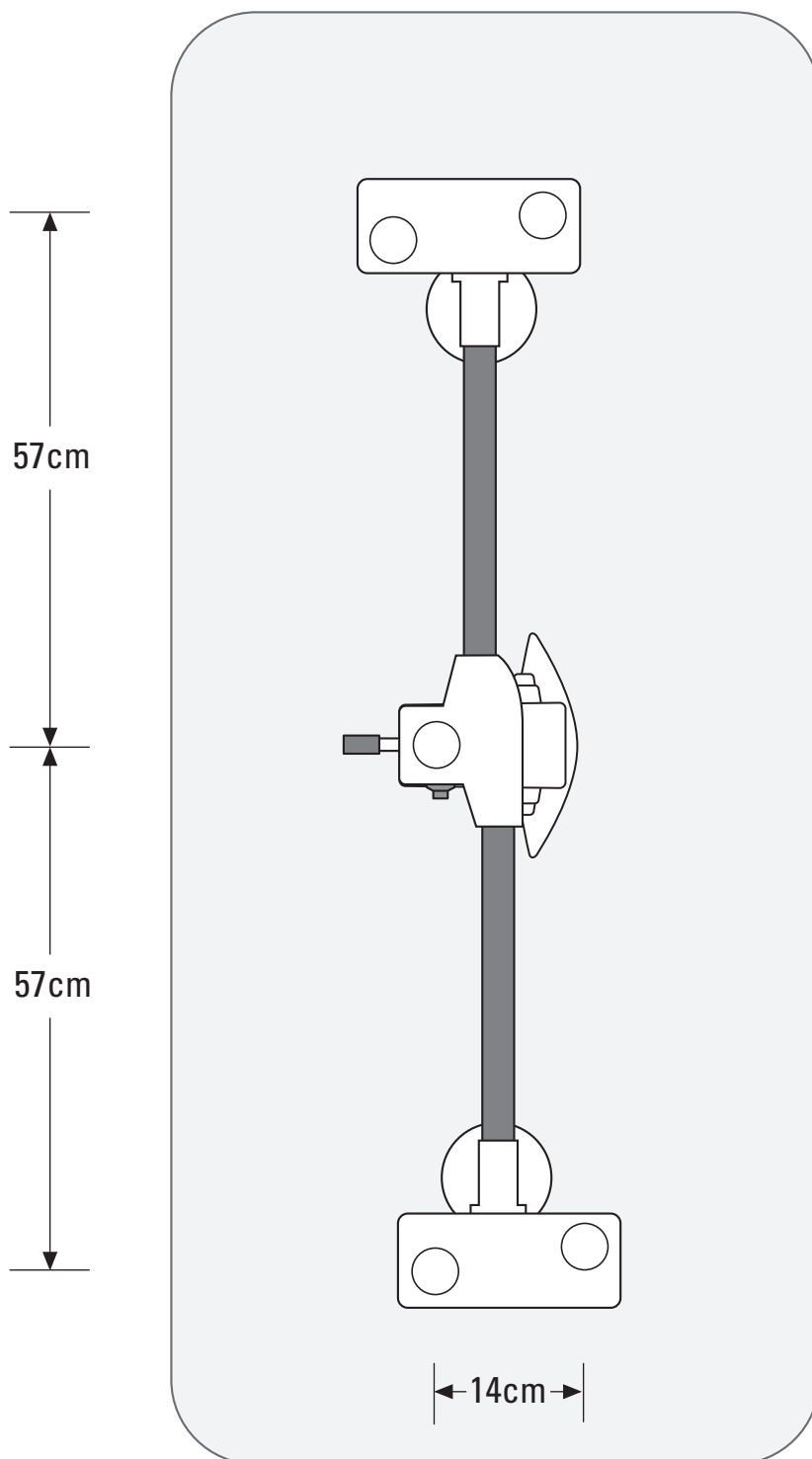
5 Stations

Part Number Includes

11619850 5 Station Multiple Viewing System, electronic pointer with power supply, power cord, 2 support legs.

11619851 Same as above but without the electronic pointer.

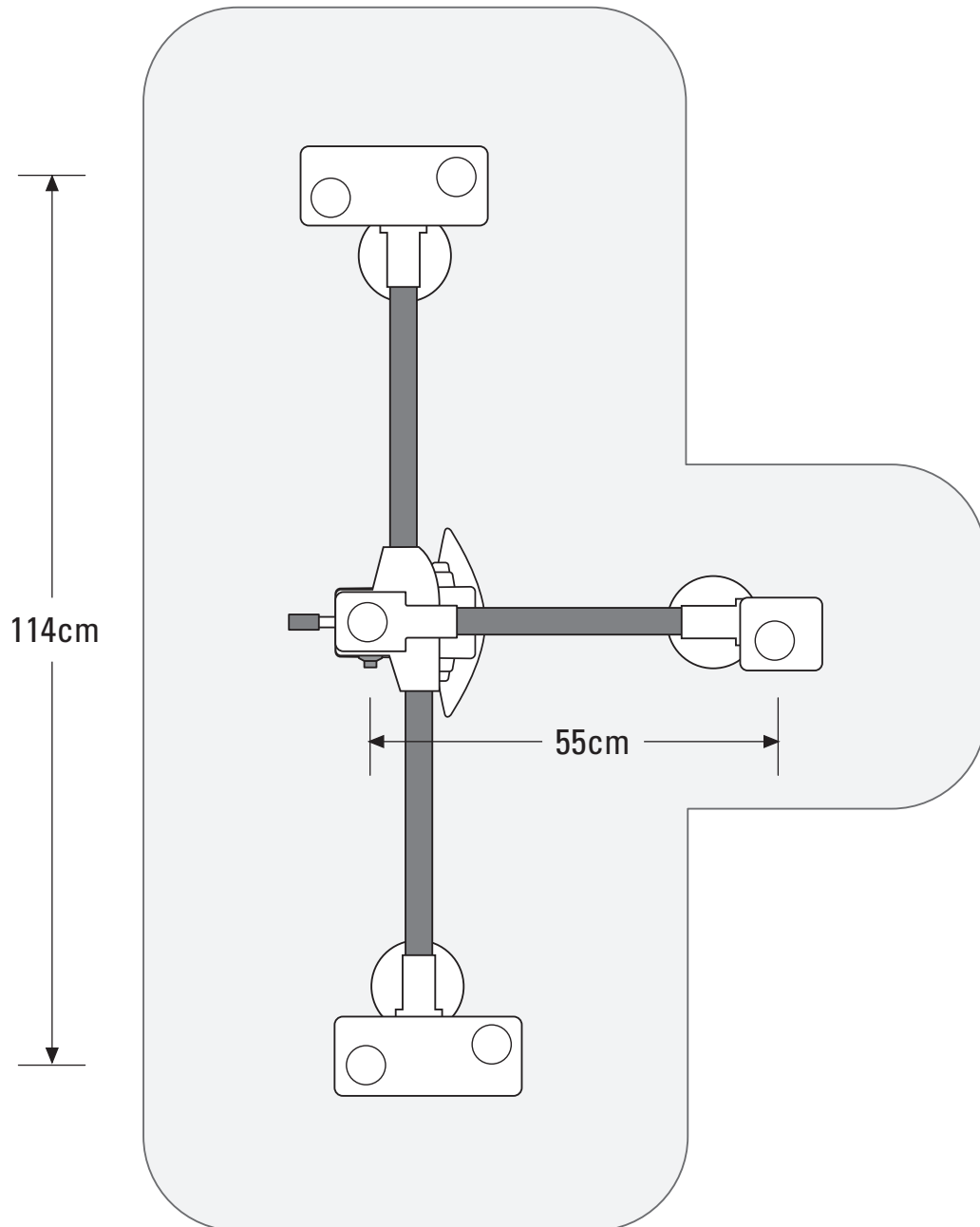
The system DOES NOT include Binocular Tubes or Eyepieces. The appropriate number of Binocular Tubes and Eyepieces must be ordered separately.



6 Stations

Part Number Includes

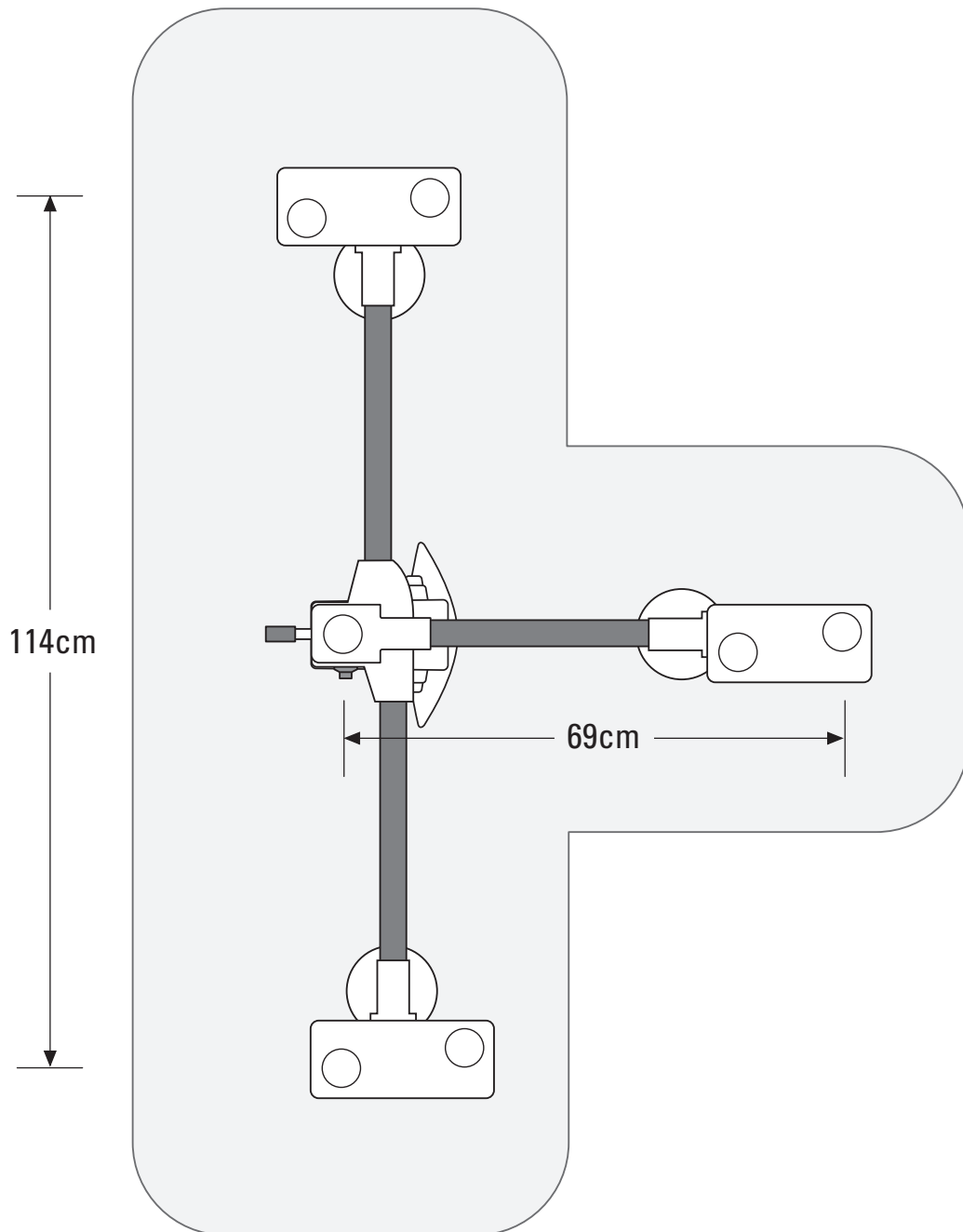
11619860 6 Station Multiple Viewing System, electronic pointer with power supply, power cord, 3 support legs, 2 leg extensions. The system DOES NOT include Binocular Tubes or Eyepieces. The appropriate number of Binocular Tubes and Eyepieces must be ordered separately.



7 Stations

Part Number Includes

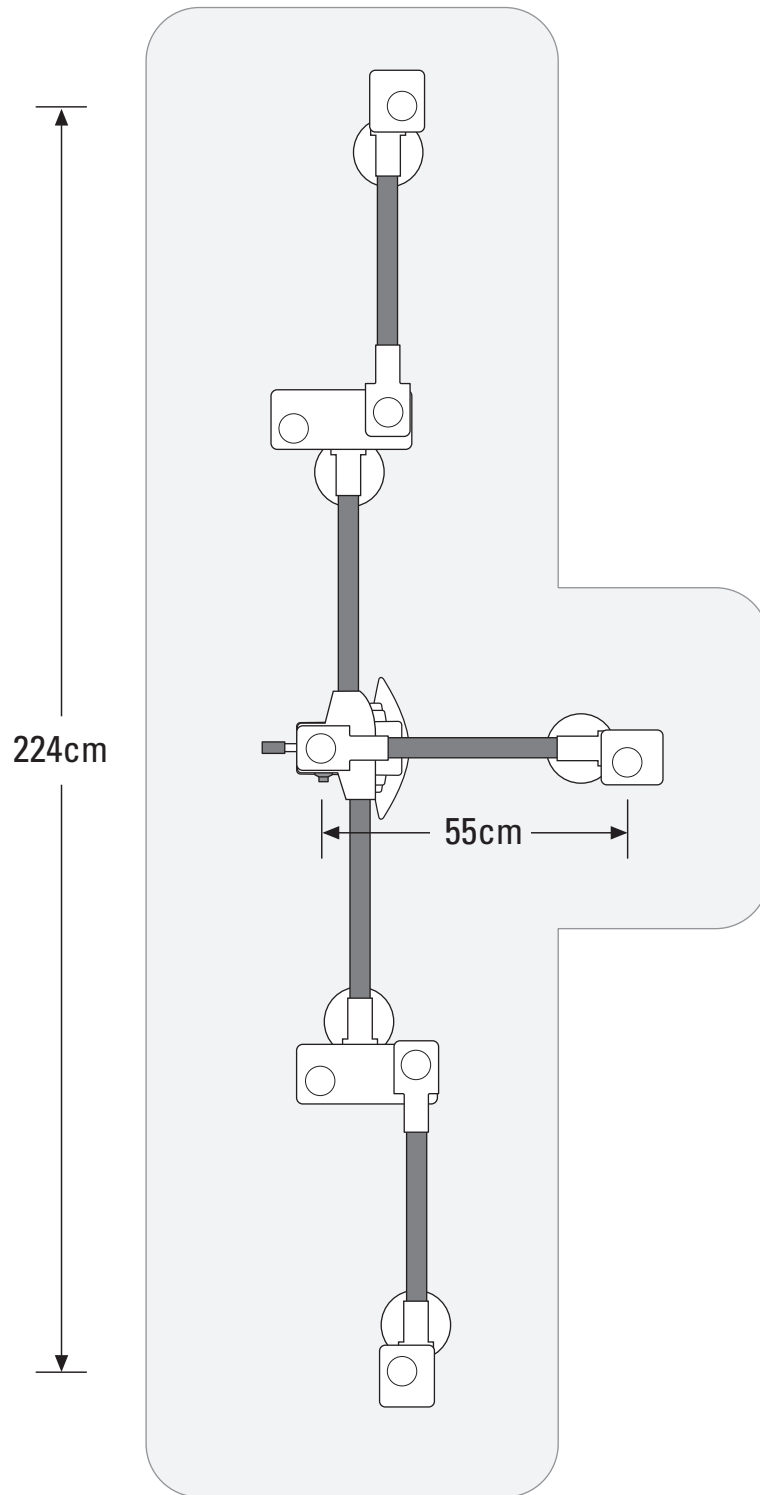
11619870 7 Station Multiple Viewing System, electronic pointer with power supply, power cord, 3 support legs, 2 leg extensions. The system DOES NOT include Binocular Tubes or Eyepieces. The appropriate number of Binocular Tubes and Eyepieces must be ordered separately.



8 Stations

Part Number Includes

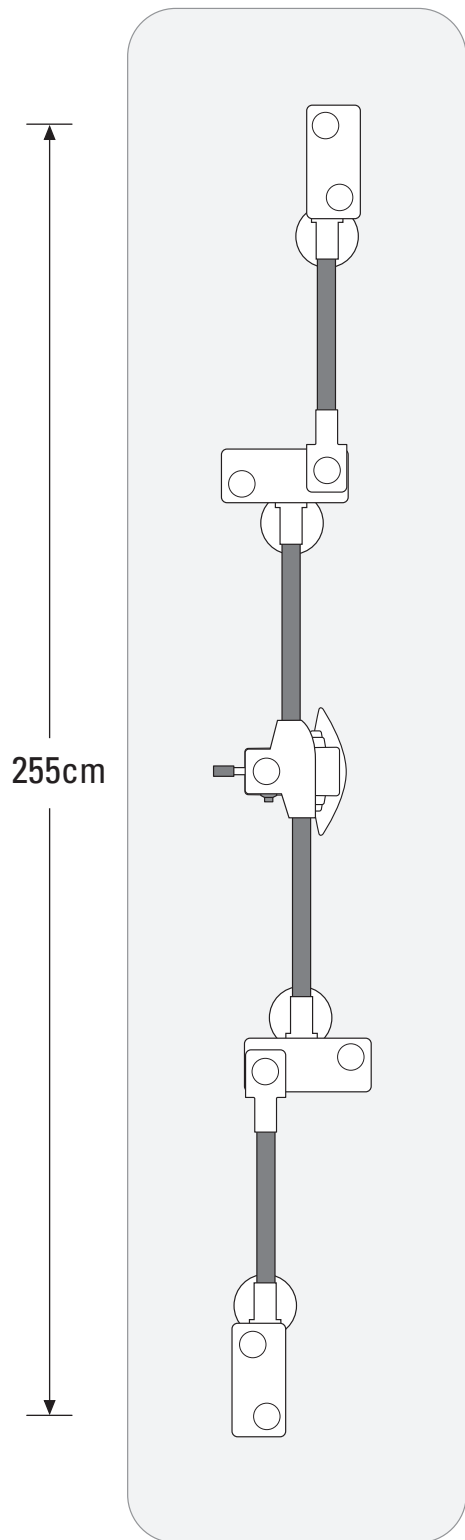
11619880 8 Station Multiple Viewing System, electronic pointer with power supply, power cord, 5 support legs, 6 leg extensions. The system DOES NOT include Binocular Tubes or Eyepieces. The appropriate number of Binocular Tubes and Eyepieces must be ordered separately.



9 Stations

Part Number Includes

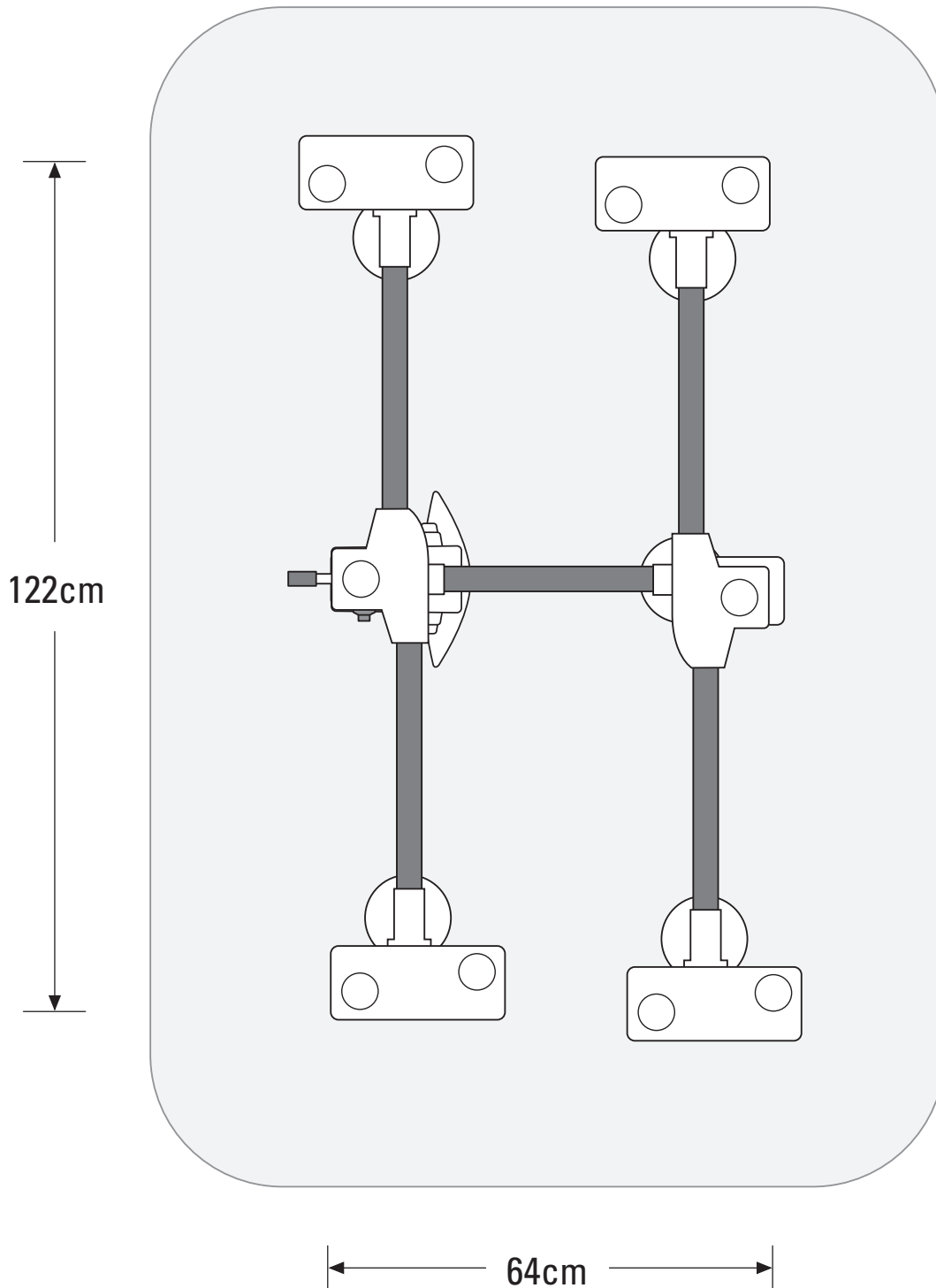
11619890 9 Station Multiple Viewing System, electronic pointer with power supply, power cord, 4 support legs, 4 leg extensions. The system DOES NOT include Binocular Tubes or Eyepieces. The appropriate number of Binocular Tubes and Eyepieces must be ordered separately.



10 Stations

Part Number Includes

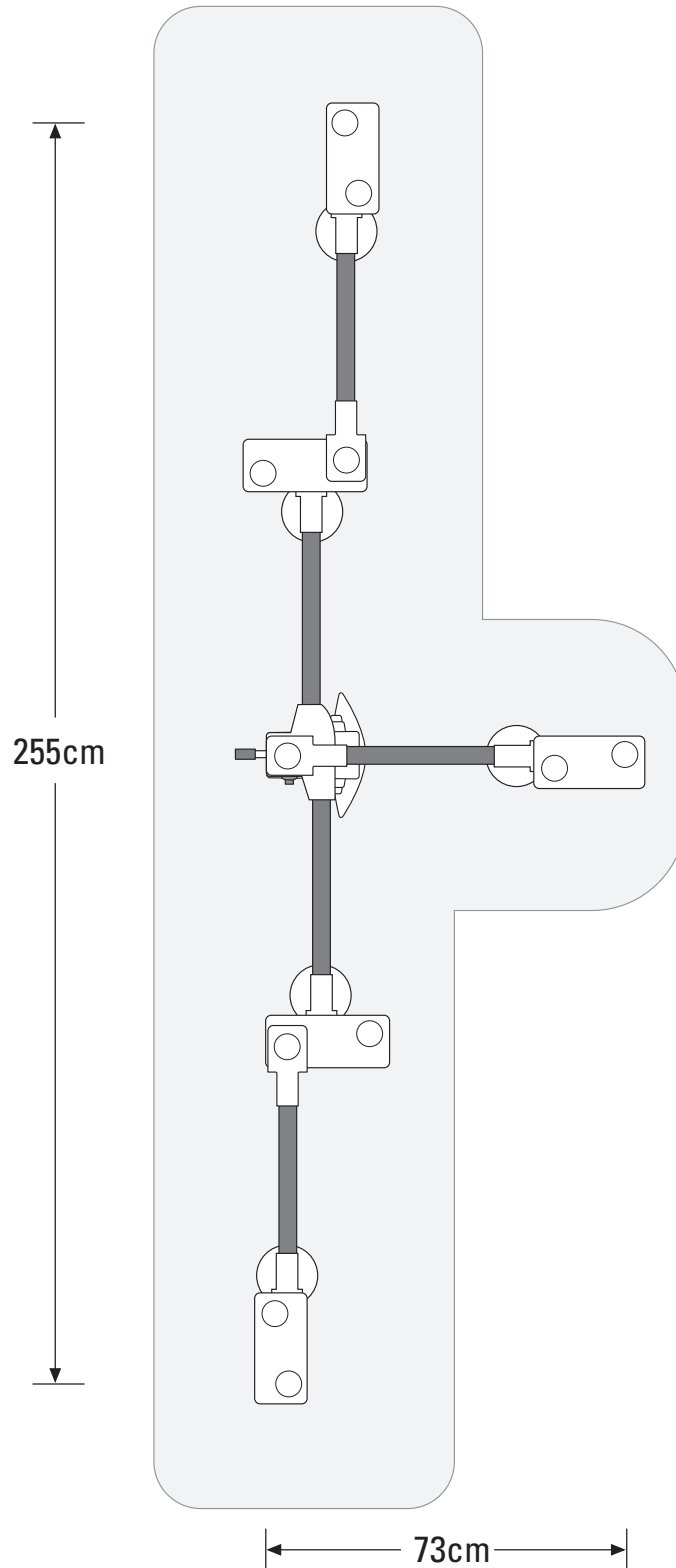
11619100 10 Station Multiple Viewing System, electronic pointer with power supply, power cord, 5 support legs, 8 leg extensions. The system DOES NOT include Binocular Tubes or Eyepieces. The appropriate number of Binocular Tubes and Eyepieces must be ordered separately.



11 Stations

Part Number Includes

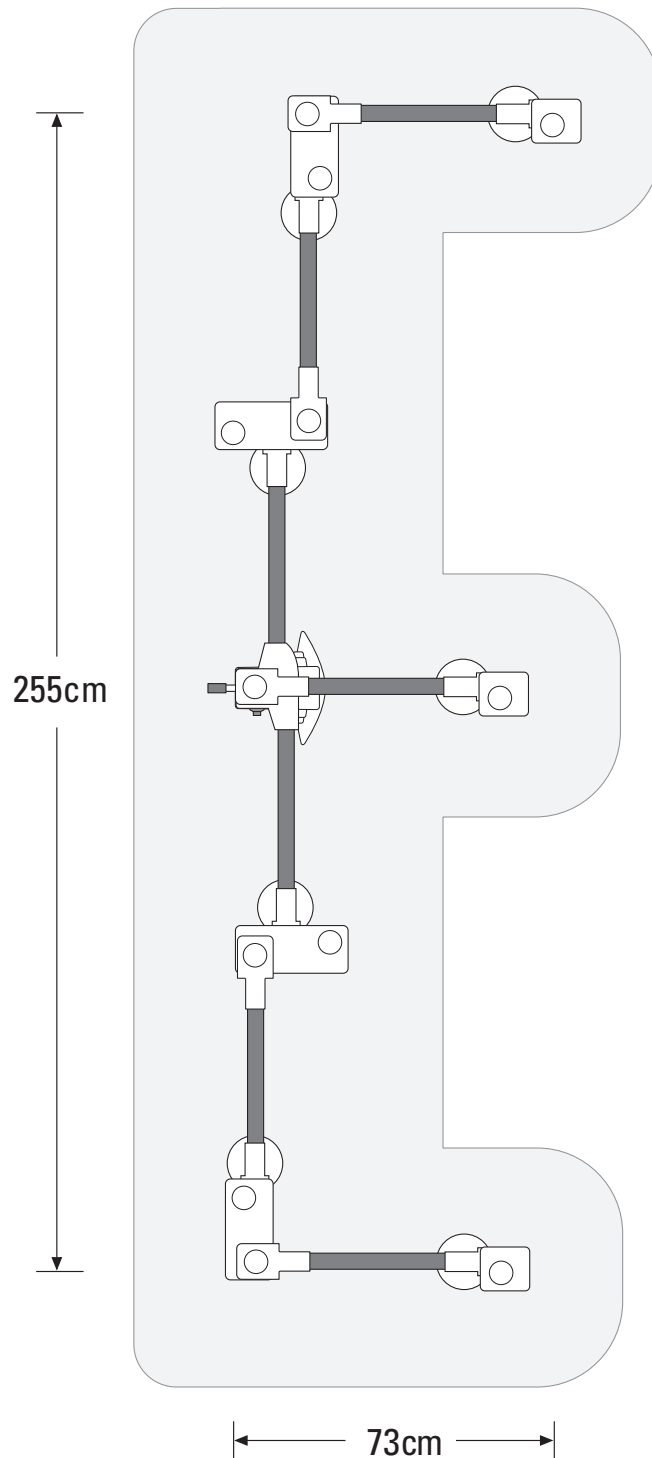
11619110 11 Station Multiple Viewing System, electronic pointer with external fiber optic light source, power cord, 5 support legs, 6 leg extensions. 100 watt light source is required for the microscope.
The system DOES NOT include Binocular Tubes or Eyepieces. The appropriate number of Binocular Tubes and Eyepieces must be ordered separately.



12 Stations

Part Number Includes

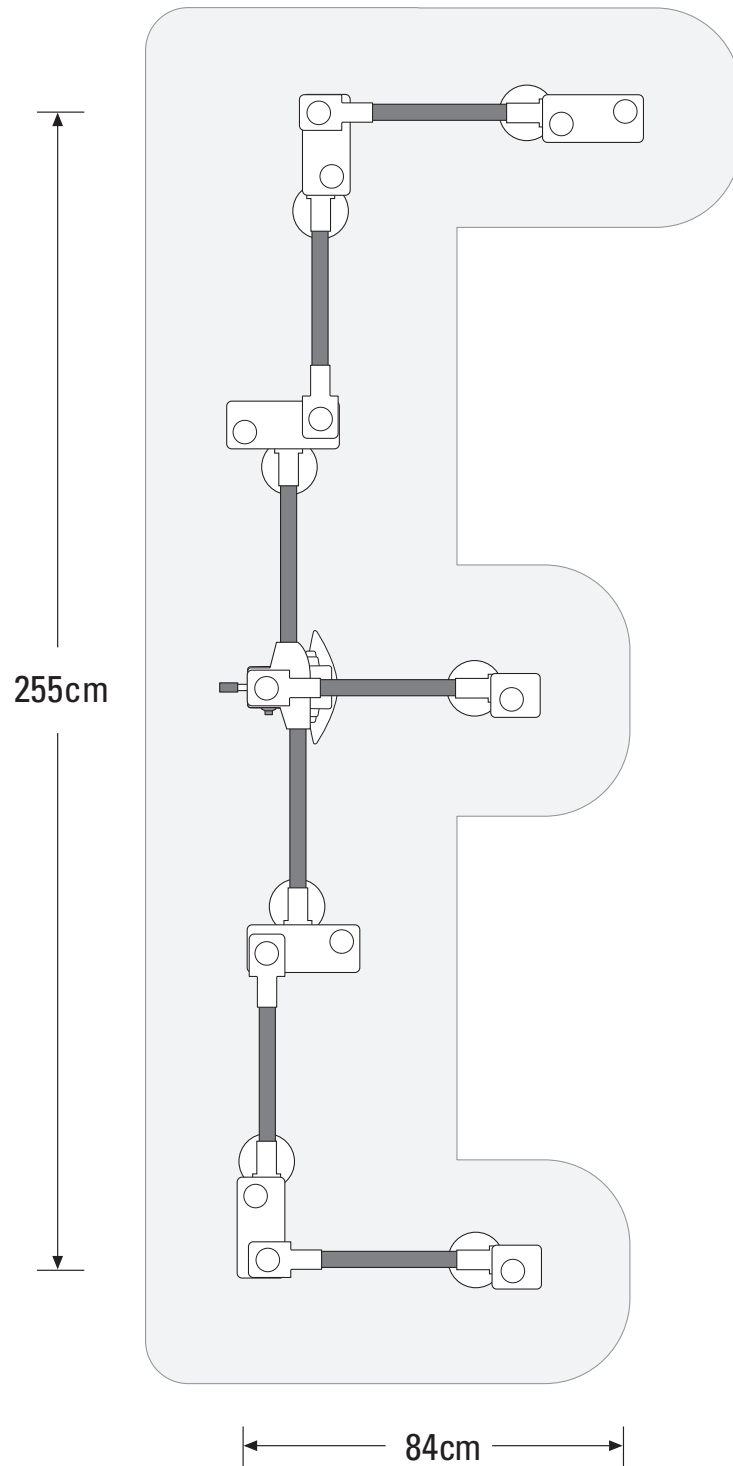
11619120 12 Station Multiple Viewing System, electronic pointer with external fiber optic light source, power cord, 7 support legs, 14 leg extensions. 100 watt light source is required for the microscope.
The system DOES NOT include Binocular Tubes or Eyepieces. The appropriate number of Binocular Tubes and Eyepieces must be ordered separately.



13 Stations

Part Number Includes

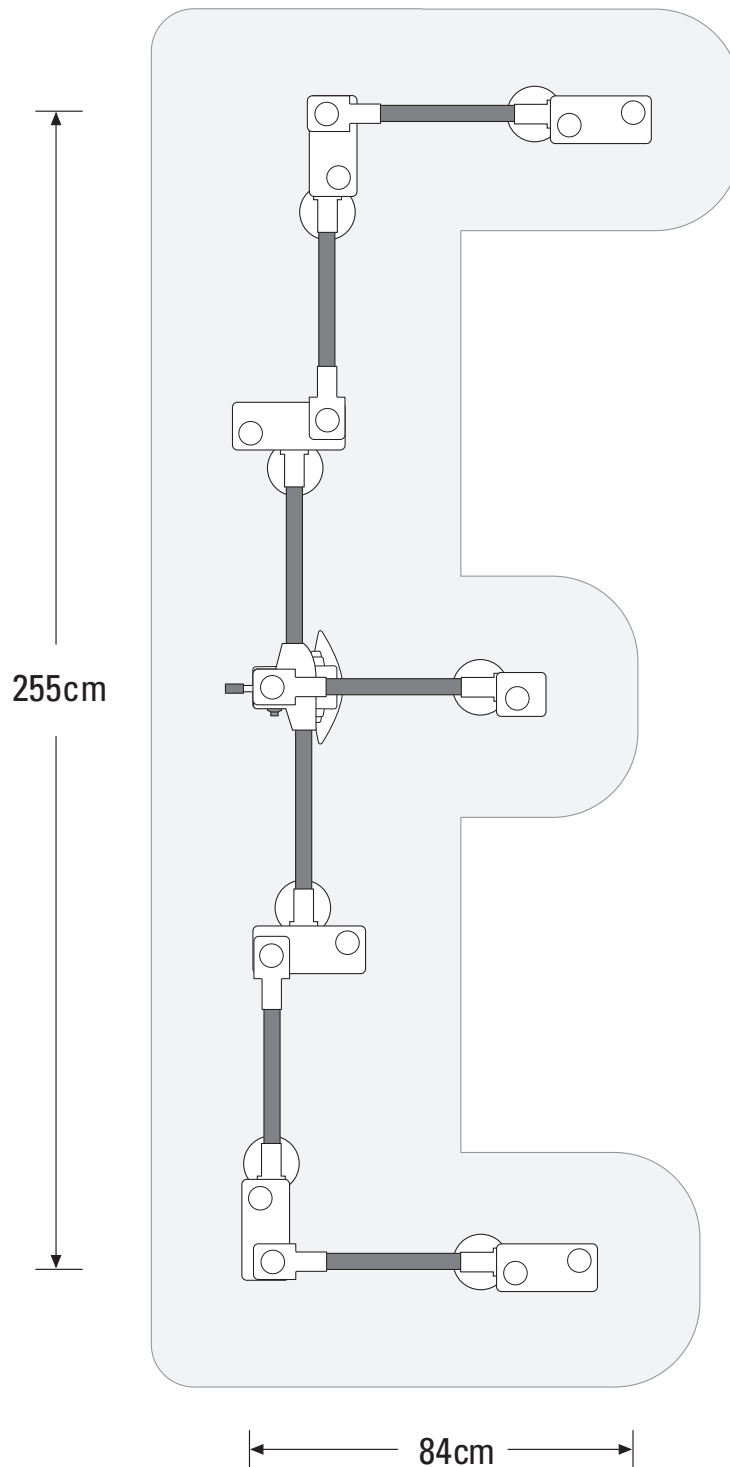
11619130 13 Station Multiple Viewing System, electronic pointer with external fiber optic light source, power cord, 7 support legs, 14 leg extensions. 100 watt light source is required for the microscope.
The system DOES NOT include Binocular Tubes or Eyepieces. The appropriate number of Binocular Tubes and Eyepieces must be ordered separately.



14 Stations

Part Number Includes

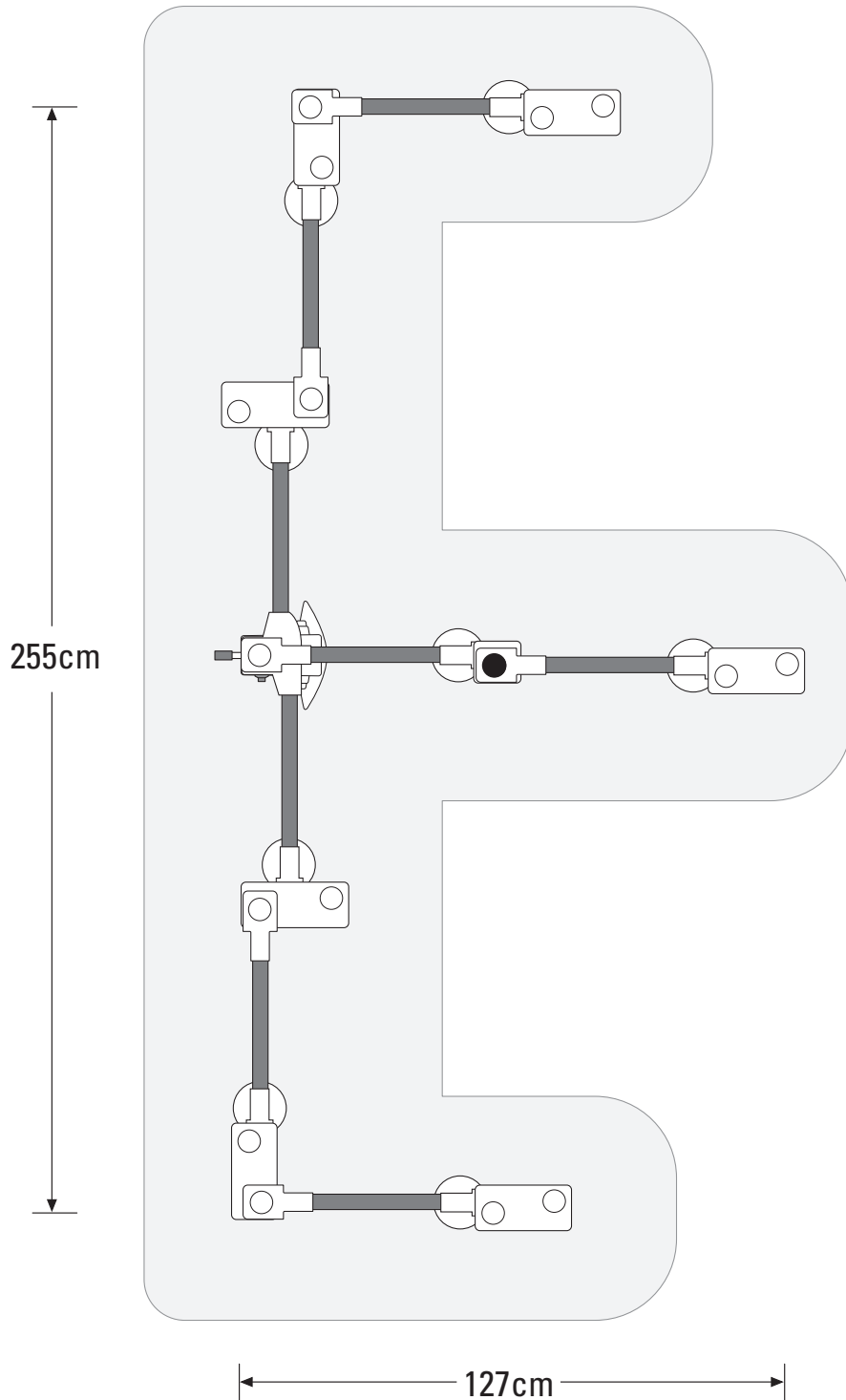
11619140 14 Station Multiple Viewing System, electronic pointer with external fiber optic light source, power cord, 7 support legs, 14 leg extensions. 100 watt light source is required for the microscope.
The system DOES NOT include Binocular Tubes or Eyepieces. The appropriate number of Binocular Tubes and Eyepieces must be ordered separately.



15 Stations

Part Number Includes

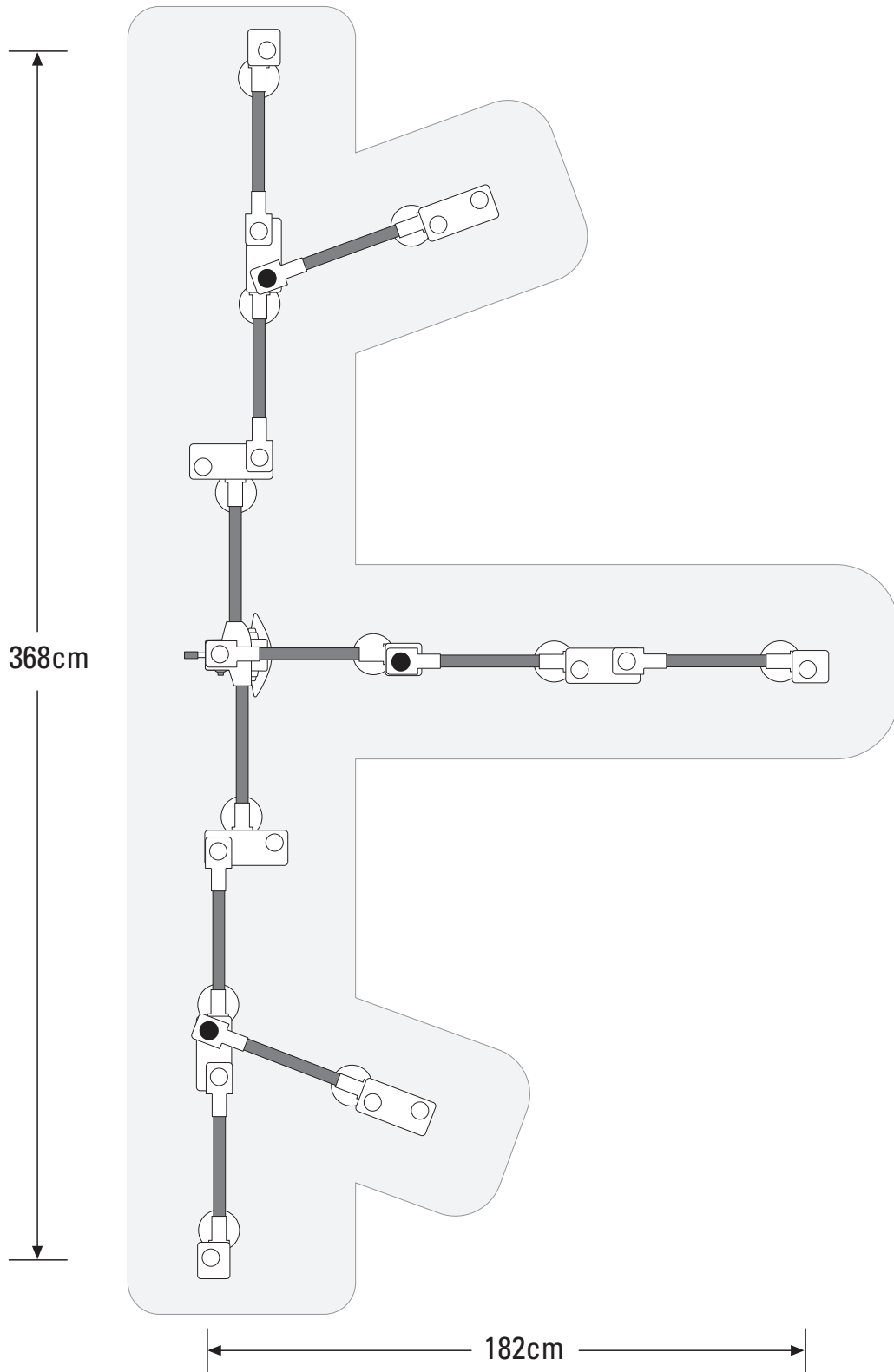
11619150 15 Station Multiple Viewing System, electronic pointer with external fiber optic light source, power cord, 8 support legs, 18 leg extensions. 100 watt light source is required for the microscope.
The system DOES NOT include Binocular Tubes or Eyepieces. The appropriate number of Binocular Tubes and Eyepieces must be ordered separately.



16 Stations

Part Number Includes

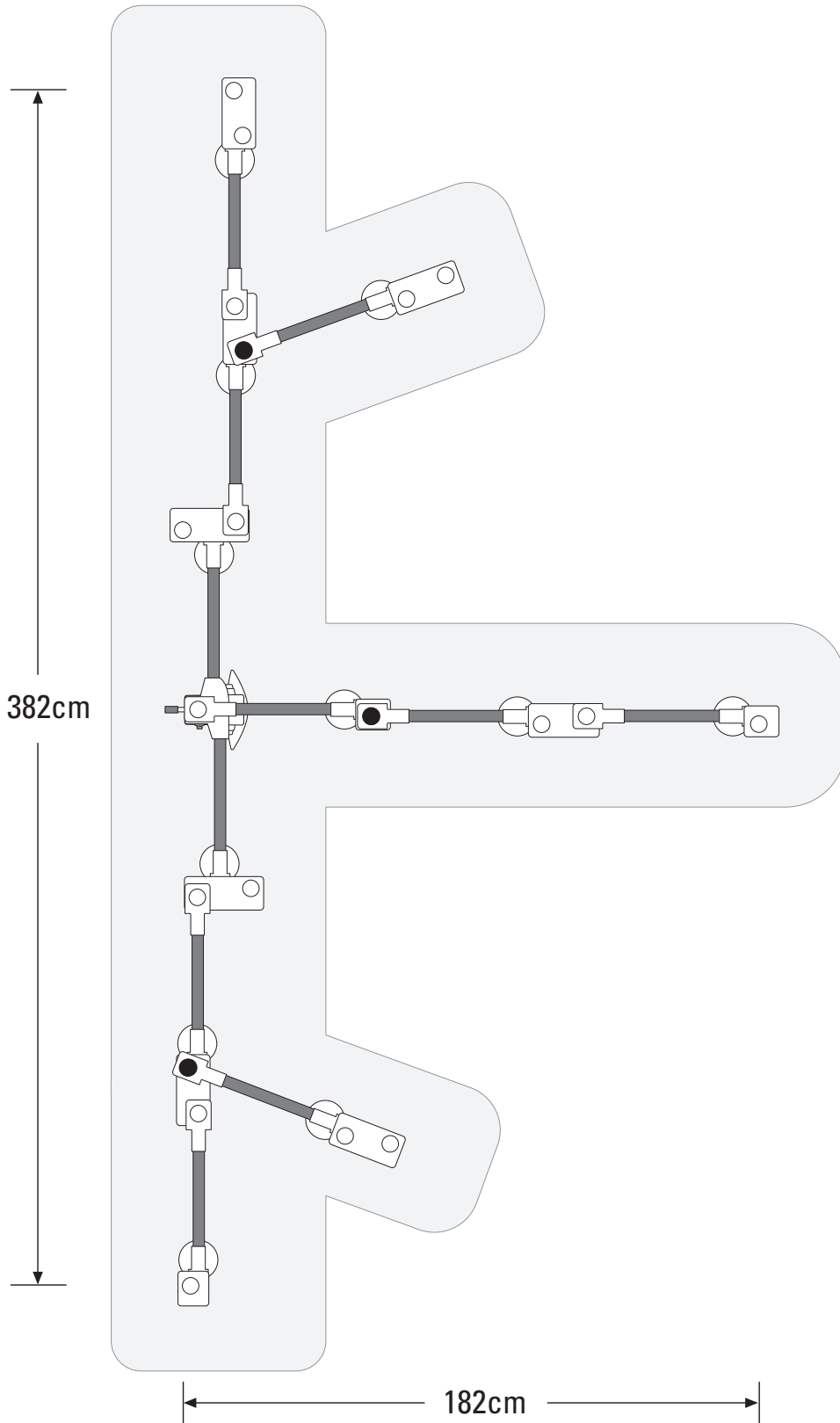
11619160 16 Station Multiple Viewing System, electronic pointer with external fiber optic light source, power cord, 11 support legs, 32 leg extensions. 100 watt light source is required for the microscope.
The system DOES NOT include Binocular Tubes or Eyepieces. The appropriate number of Binocular Tubes and Eyepieces must be ordered separately.



17 Stations

Part Number Includes

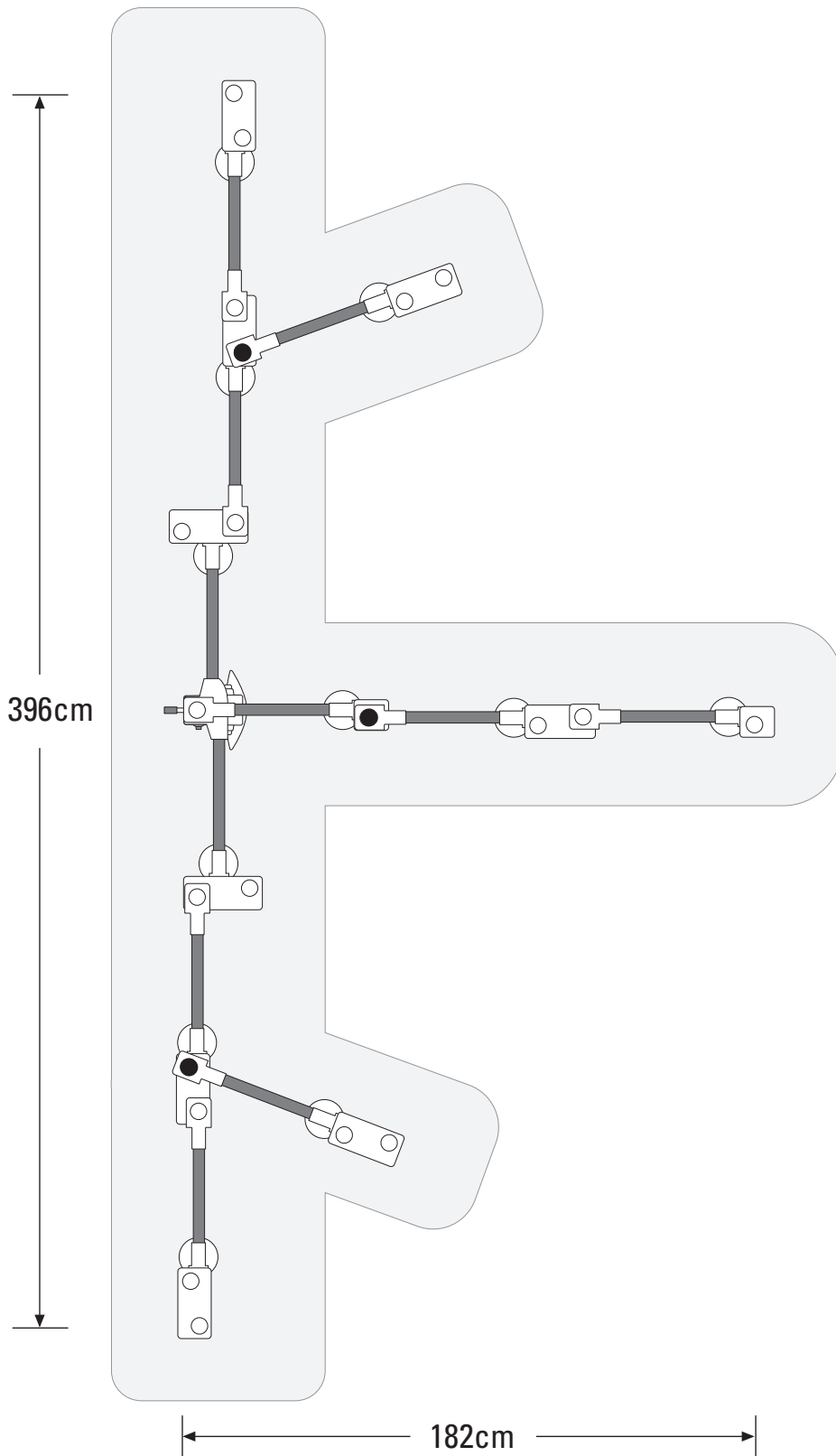
11619170 17 Station Multiple Viewing System, electronic pointer with external fiber optic light source, power cord, 11 support legs, 32 leg extensions. 100 watt light source is required for the microscope.
The system DOES NOT include Binocular Tubes or Eyepieces. The appropriate number of Binocular Tubes and Eyepieces must be ordered separately.



18 Stations

Part Number Includes

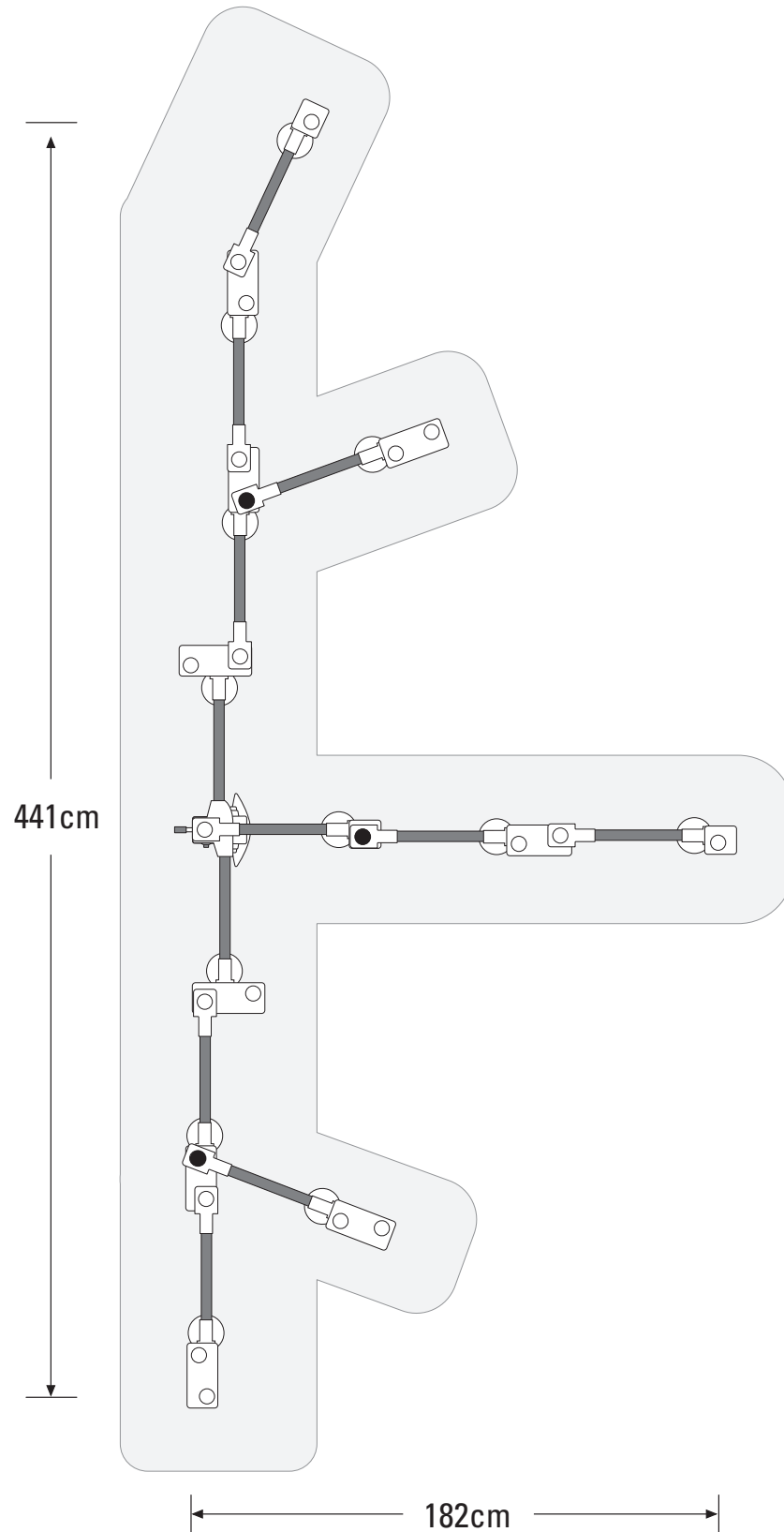
11619180 18 Station Multiple Viewing System, electronic pointer with external fiber optic light source, power cord, 11 support legs, 32 leg extensions. 100 watt light source is required for the microscope.
The system DOES NOT include Binocular Tubes or Eyepieces. The appropriate number of Binocular Tubes and Eyepieces must be ordered separately.



19 Stations

Part Number Includes

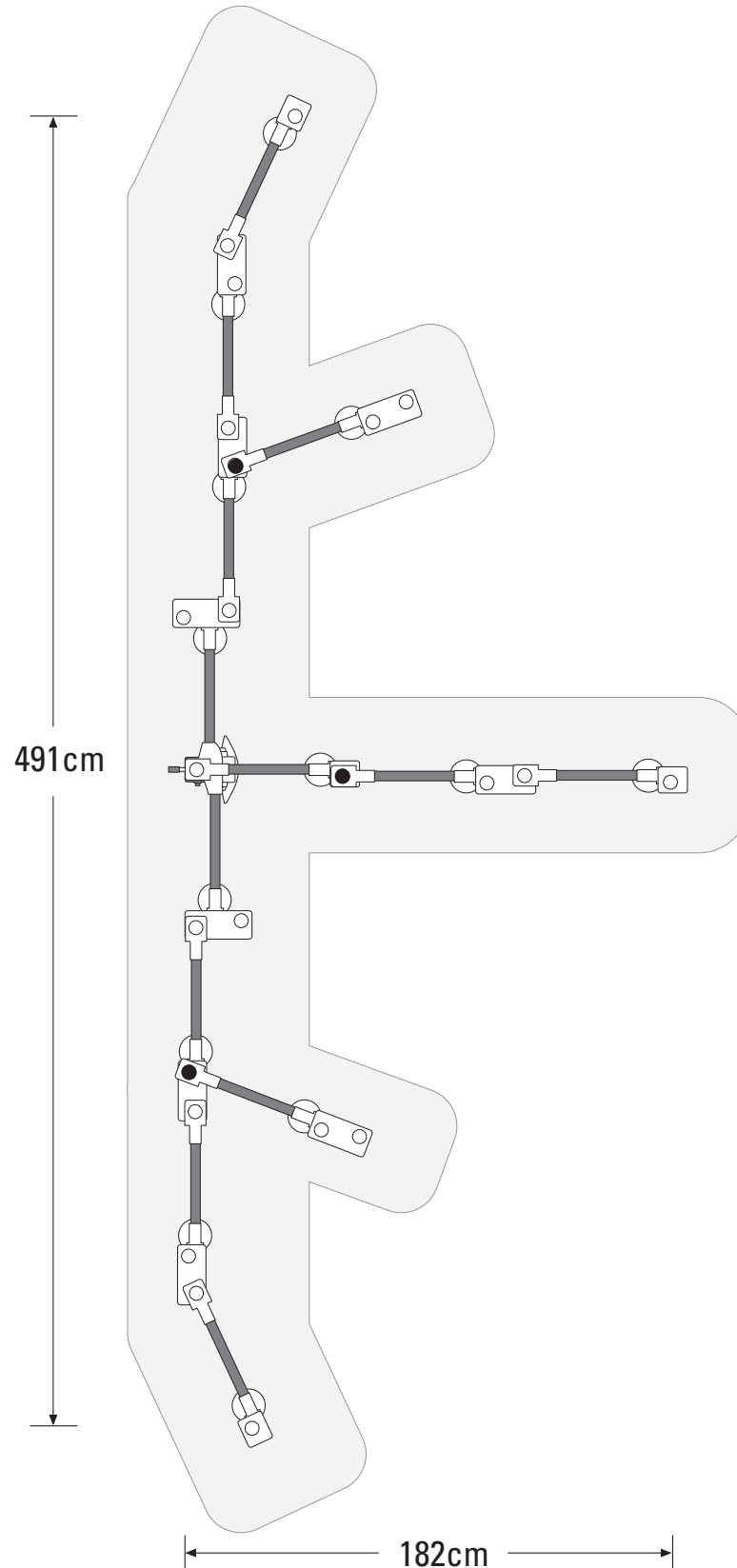
11619190 19 Station Multiple Viewing System, electronic pointer with external fiber optic light source, power cord, 12 support legs, 38 leg extensions. 100 watt light source is required for the microscope.
The system DOES NOT include Binocular Tubes or Eyepieces. The appropriate number of Binocular Tubes and Eyepieces must be ordered separately.



20 Stations

Part Number Includes

11619200 20 Station Multiple Viewing System, electronic pointer with external fiber optic light source, power cord, 13 support legs, 44 leg extensions. 100 watt light source is required for the microscope. The system DOES NOT include Binocular Tubes or Eyepieces. The appropriate number of Binocular Tubes and Eyepieces must be ordered separately.



Due to a policy of continuous development, we reserve the right to change specifications without notice.

Aufgrund der fortlaufenden Neuentwicklungen behalten wir uns das Recht vor, jederzeit ohne Vorankündigung Änderungen vornehmen zu können.

En raison de notre politique de développement continu, nous réservons le droit de modifier les spécifications sans préavis.

En vista de nuestra política de desarrollo continuo, nos reservamos el derecho de modificar las especificaciones sin previo aviso.